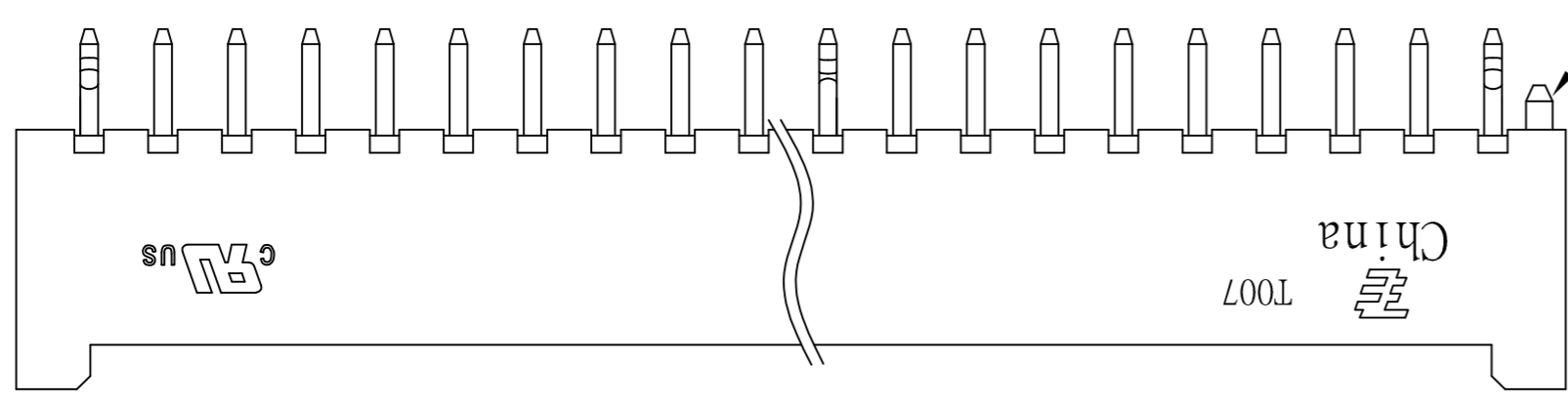
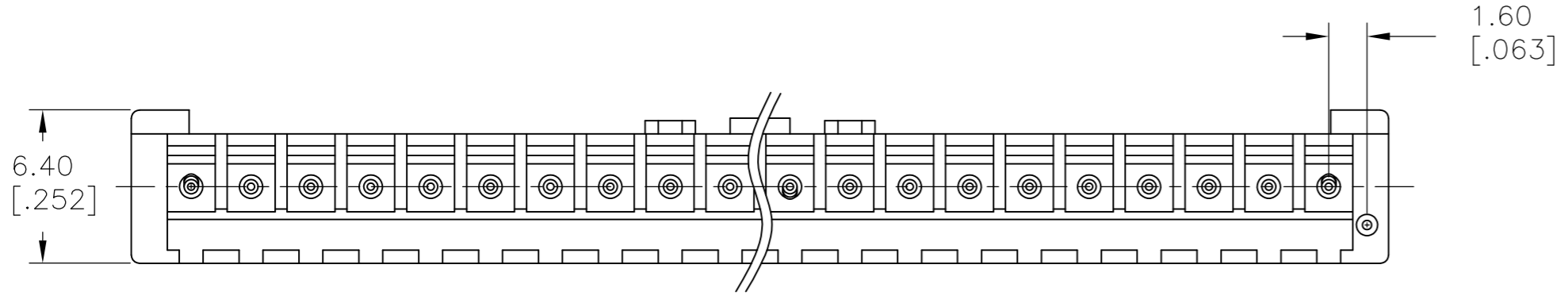
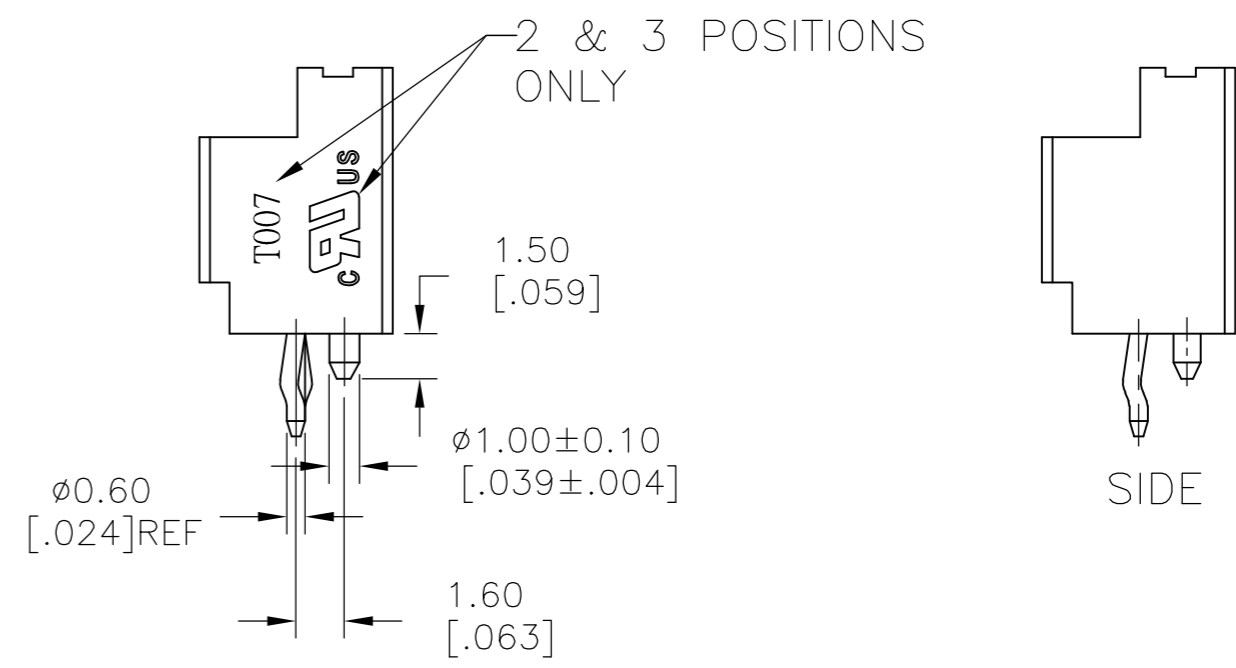
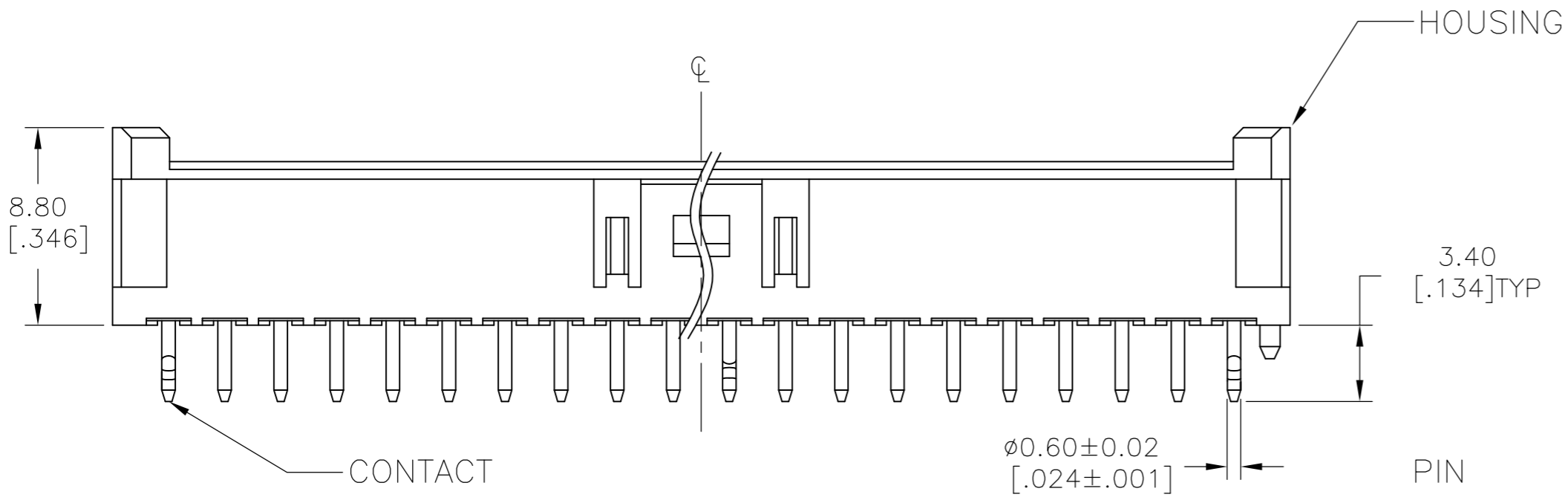
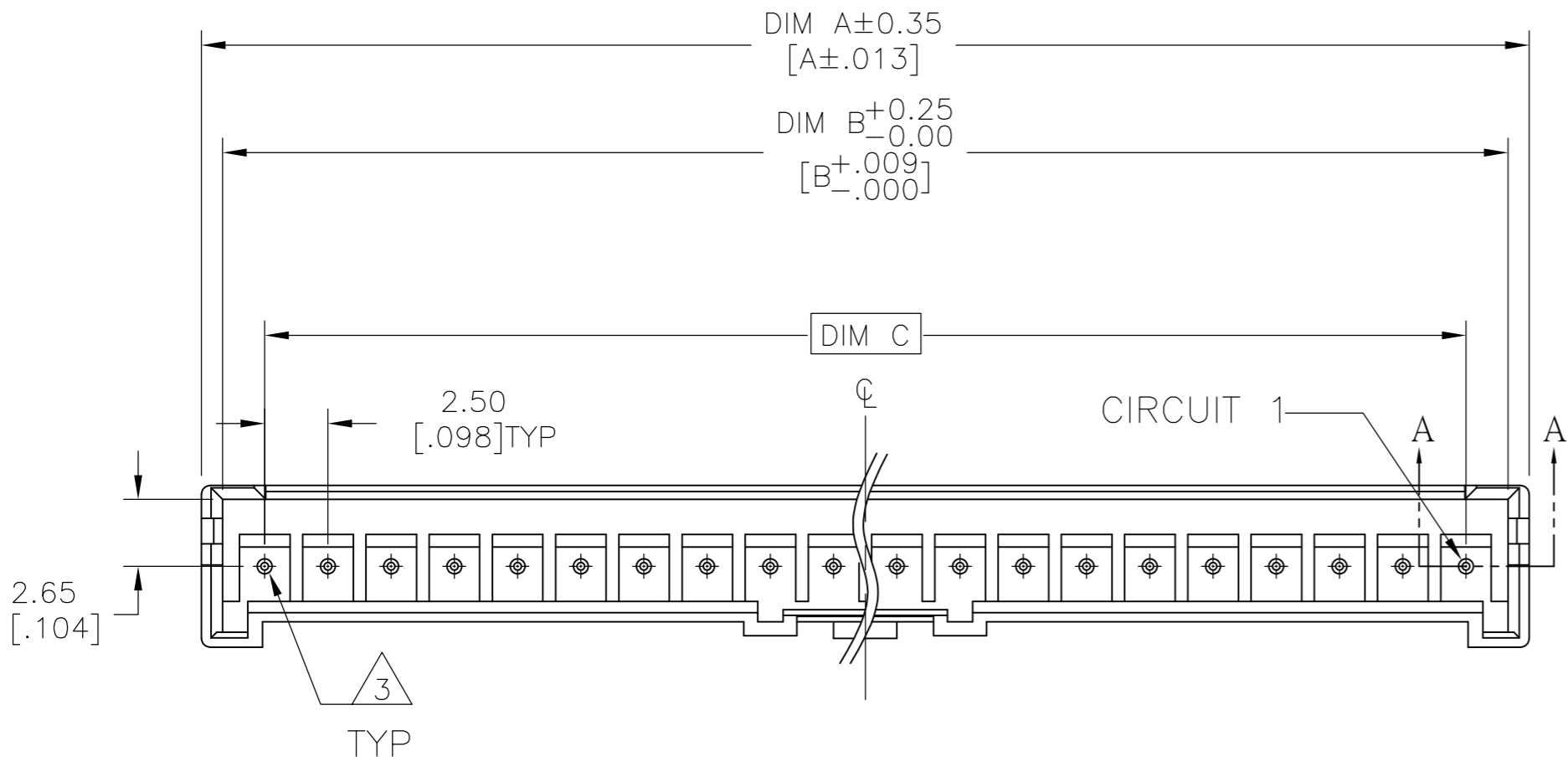


THIS DRAWING IS UNPUBLISHED. RELEASED FOR PUBLICATION
 © COPYRIGHT - By - ALL RIGHTS RESERVED.

LOC		DIST		REVISIONS			
P	LTR	DESCRIPTION	DATE	DWN	APVD		
-	-	E		REVISED PER ECR-15-003835	09APR15	O.C	D.Z



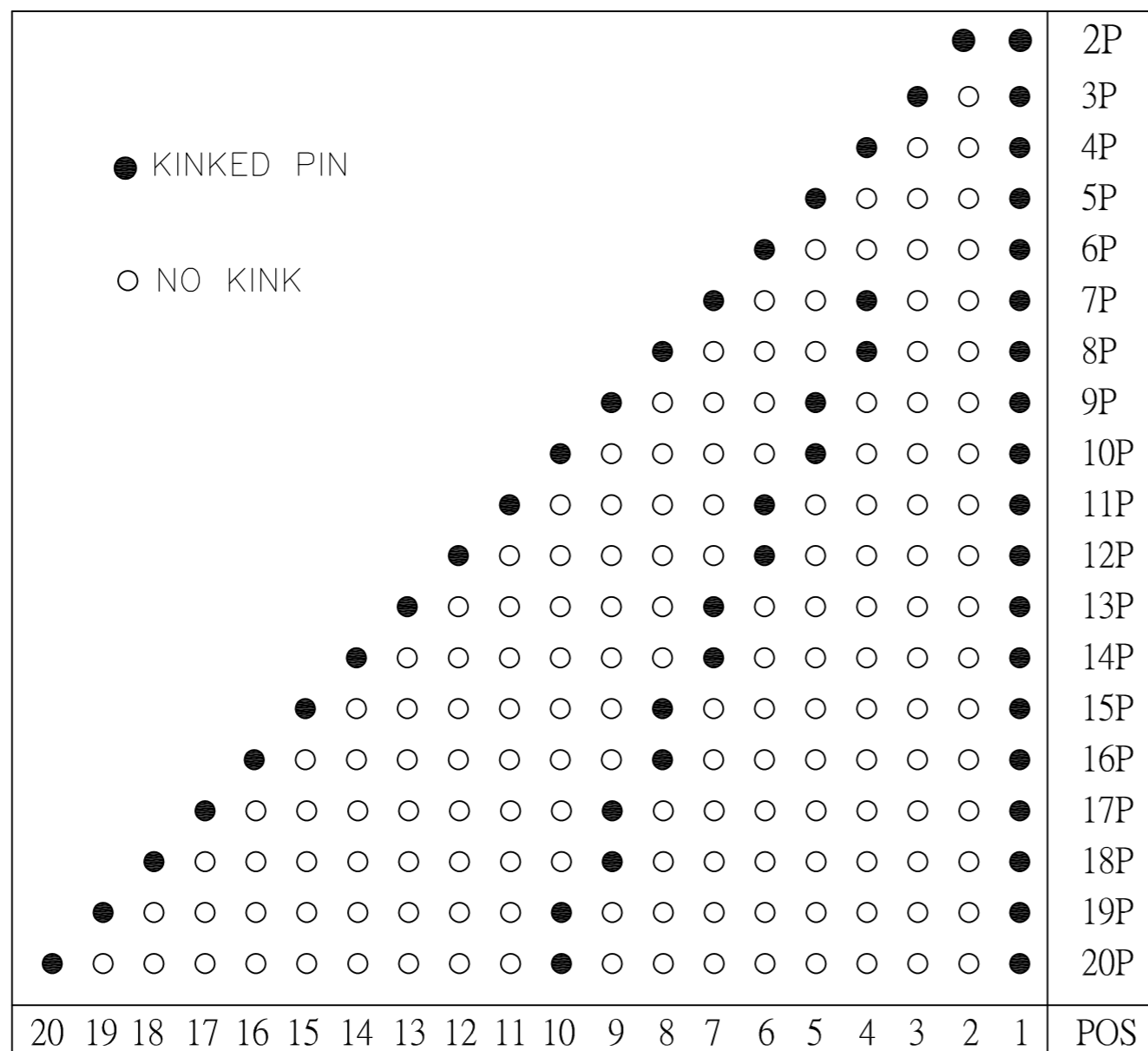
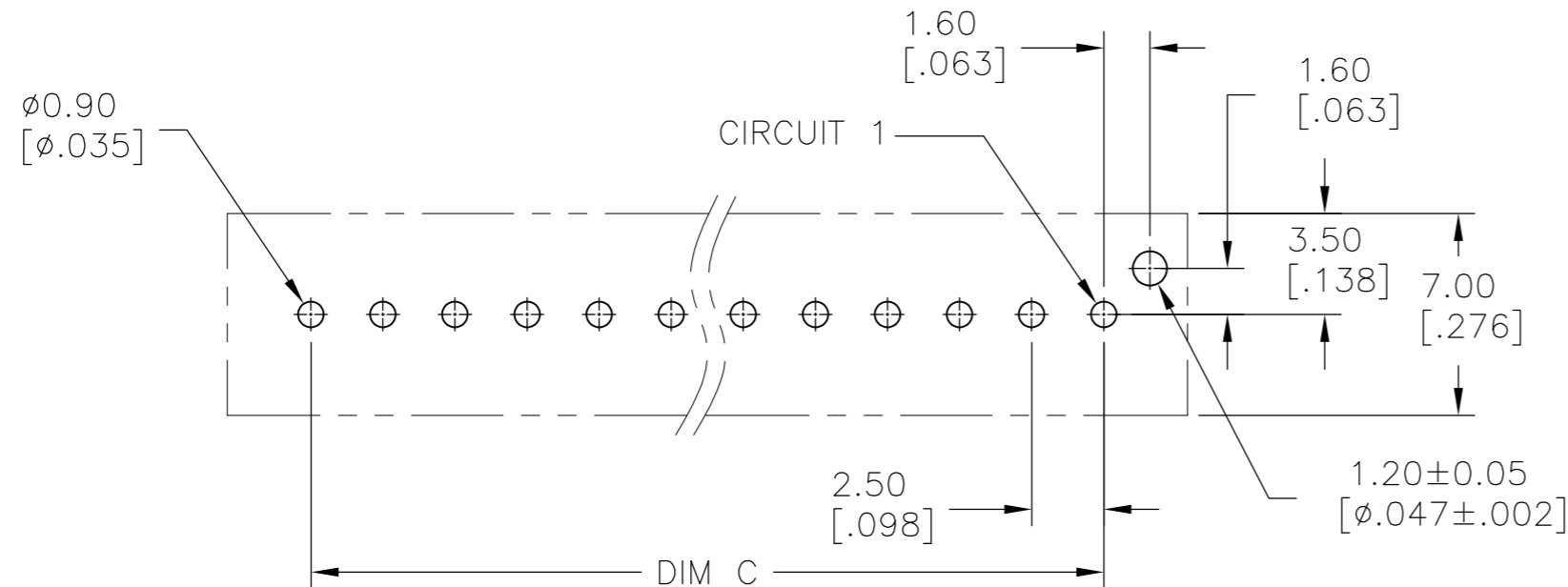
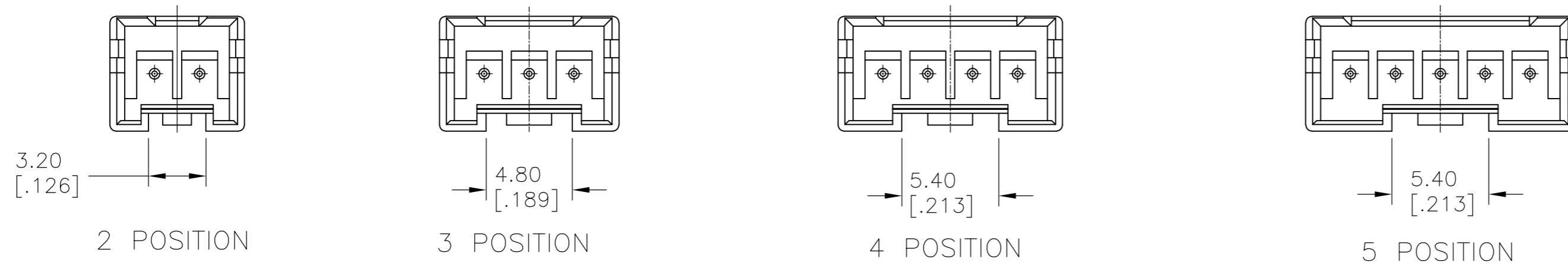
- 1 MATERIAL: NYLON, UL94V0 COLOR: NATURAL
- 2 COMPLY WITH GLOW WIRE REQUIREMENTS FOR PARTS OF NON-METALLIC MATERIAL SUPPORTING A CURRENT-CARRYING CONNECTION DETAILED IN IEC 60335-1, SECTION 30(GWT).
- 3 PIN RETENTION: 12 NEWTONS [2.7 LBF] MIN.



THIS DRAWING IS A CONTROLLED DOCUMENT.		DWN	JR RUTH	31OCT11	STE TE Connectivity		
DIMENSIONS:		CHK	SAM MACE	31OCT11			
mm [INCHES]		APVD	SAM MACE	31OCT11			
TOLERANCES UNLESS OTHERWISE SPECIFIED:		PRODUCT SPEC	108-2418	3			
0 PLC ± 0.50		APPLICATION SPEC	114-13315		NAME	HEADER ASSEMBLY, VERTICAL, ECONOMY POWER, 2.5mm CENTERLINE, GLOW WIRE	
1 PLC ± 0.30		SIZE	A2	CAGE CODE	00779	DRAWING NO	C=1744418
2 PLC ± 0.20		WEIGHT	-	SCALE	N/A	SHEET	1 of 2
3 PLC ± 0.10		CUSTOMER DRAWING		RESTRICTED TO		REV	E
4 PLC ± -							
ANGLES ± 3°							
FINISH							

THIS DRAWING IS UNPUBLISHED. RELEASED FOR PUBLICATION
 © COPYRIGHT - By - ALL RIGHTS RESERVED.

LOC		DIST		REVISIONS			
P	LTR	DESCRIPTION		DATE	DWN	APVD	
-	-	SEE SHEET 1		-	-	-	



47.5 [1.870]	50.83 [2.001]	52.5 [2.067]	20	2-1744418-0
45.0 [1.772]	48.33 [1.903]	50.0 [1.968]	19	1-1744418-9
42.5 [1.673]	45.83 [1.804]	47.5 [1.870]	18	1-1744418-8
40.0 [1.575]	43.33 [1.706]	45.0 [1.772]	17	1-1744418-7
37.5 [1.476]	40.83 [1.607]	42.5 [1.673]	16	1-1744418-6
35.0 [1.378]	38.33 [1.510]	40.0 [1.575]	15	1-1744418-5
32.5 [1.280]	35.83 [1.411]	37.5 [1.476]	14	1-1744418-4
30.0 [1.181]	33.33 [3.12]	35.0 [1.378]	13	1-1744418-3
27.5 [1.083]	30.83 [.214]	32.5 [1.280]	12	1-1744418-2
25.0 [.984]	28.33 [.115]	30.0 [1.181]	11	1-1744418-1
22.5 [.886]	25.83 [.167]	27.5 [1.083]	10	1-1744418-0
20.0 [.787]	23.33 [.919]	25.0 [.984]	9	1744418-9
17.5 [.689]	20.83 [.820]	22.5 [.886]	8	1744418-8
15.0 [.591]	18.33 [.722]	20.0 [.787]	7	1744418-7
12.5 [.492]	15.83 [.623]	17.5 [.689]	6	1744418-6
10.0 [.394]	13.33 [.525]	15.0 [.591]	5	1744418-5
7.5 [.295]	10.83 [.426]	12.5 [.492]	4	1744418-4
5.0 [.197]	8.33 [.328]	10.0 [.394]	3	1744418-3
2.5 [.098]	5.83 [.229]	7.5 [.295]	2	1744418-2
DIM C	DIM B	DIM A	POS	PART NO

THIS DRAWING IS A CONTROLLED DOCUMENT.		DWN JR RUTH 31OCT11	TE Connectivity			
DIMENSIONS: mm [INCHES]		CHK MACE SAMUEL 06JAN11				
TOLERANCES UNLESS OTHERWISE SPECIFIED:		APVD MACE SAMUEL 06JAN11	NAME HEADER ASSEMBLY, VERTICAL, ECONOMY POWER, 2.5mm CENTERLINE, GLOW WIRE			
0 PLC ± 0.50 1 PLC ± 0.30 2 PLC ± 0.20 3 PLC ± 0.10 4 PLC ± . ANGLES ± 3°		PRODUCT SPEC 108-2418 3	SIZE A2	CAGE CODE 00779	DRAWING NO C=1744418	RESTRICTED TO -
MATERIAL -		FINISH -	WEIGHT -	SCALE N/A	SHEET 2 OF 2	REV E
CUSTOMER DRAWING						